

MCR protection for 2-pin for power supply, 60 V

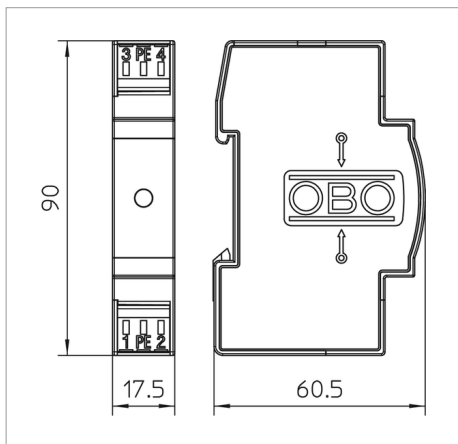
Technical data sheet

MCR protection for 2-pin for power supply, 60 V



Surge protection, fine power protection, type 3, to EN 61643-11 (D to VDE 0675 Part 6-11)

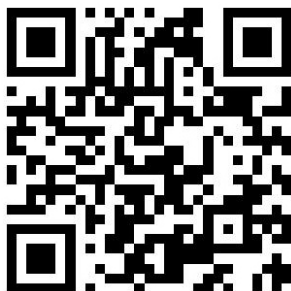
- Suitable for DC and AC voltage systems
- With visual function display
- With installation-friendly, screwless connection terminals
- In a space-saving 17.5 mm grid
- Y connection



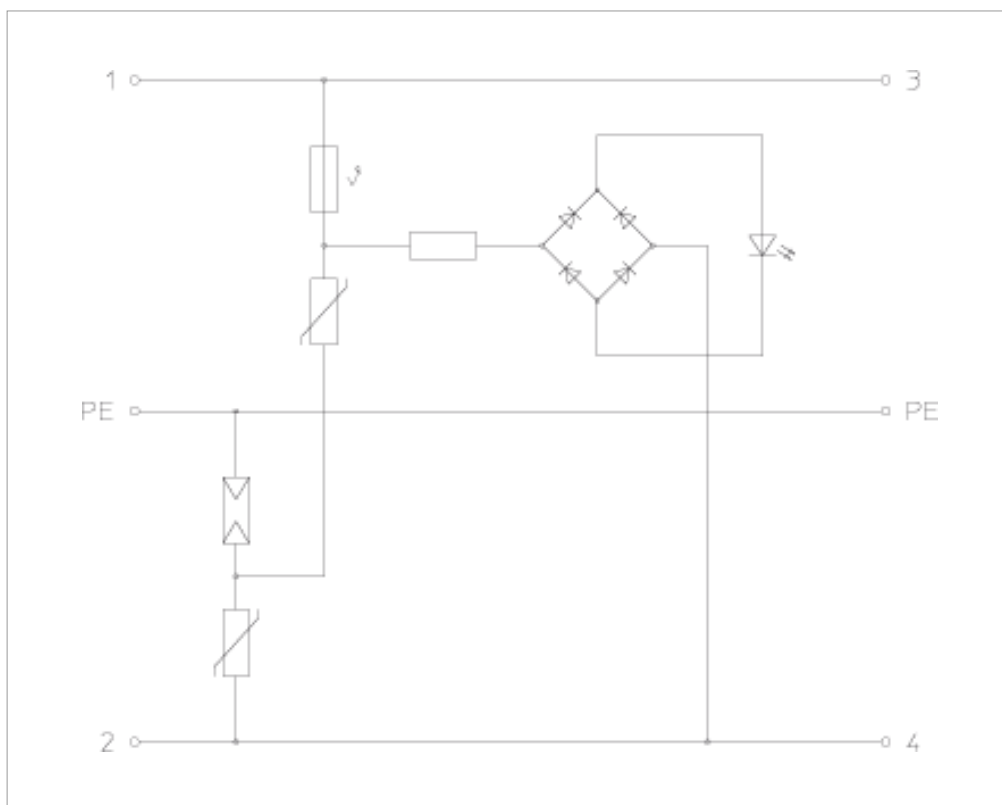
Application: Universal use on 35 mm hat profile rails in standard distributor housings.

Type	U max DC V	U max AC V	Pack Units	Weight kg/100 pc.	Art.-No.
VF12-AC DC		13.5	1	9.000	5097453
VF24-AC/DC		34	1	8.000	5097607
VF48-AC/DC		60	1	8.000	5097615
VF60-AC/DC		80	1	8.000	5097623
VF110-AC DC		150	1	8.000	5097631
VF230-AC/DC		255	1	8.000	5097650

G /pc.



Connection-/Circuit diagram



Article number			5097453	5097607	5097615	5097623	5097631	5097650
Nominal voltage	U_N	V	12	24	48	60	110	230
U max AC	$U_{C AC}$	V	13.5	34	60	80	150	255
LPZ			2?3	2?3	2?3	2?3	2?3	2?3
Nominal discharge surge current (8/20)	I_n	kA	0.7	0.7	0.7	0.7	2	2.5
Nominal load current	I_L	A	20	20	20	20	20	20
Protection level wire/wire		V	<110	<130	<220	<280	<500	<1000
Protection level wire/earth		V	<1200	<1200	<1200	<1200	<1400	<1400
Response time	t_A	ns	< 25	< 25	< 25	< 25	< 25	< 25
Temperature range	?	°C	-40	-40	-40	-40	-40	-40
Division unit TE (17.5 mm)			1	1	1	1	1	1
Connection cross-section, rigid		mm ²	0.14	0.14	0.14	0.14	0.14	0.14
Connection cross-section, multi-wire		mm ²	0.14	0.14	0.14	0.14	0.14	0.14
Connection cross-section, flexible		mm ²	0.14	0.14	0.14	0.14	0.14	0.14